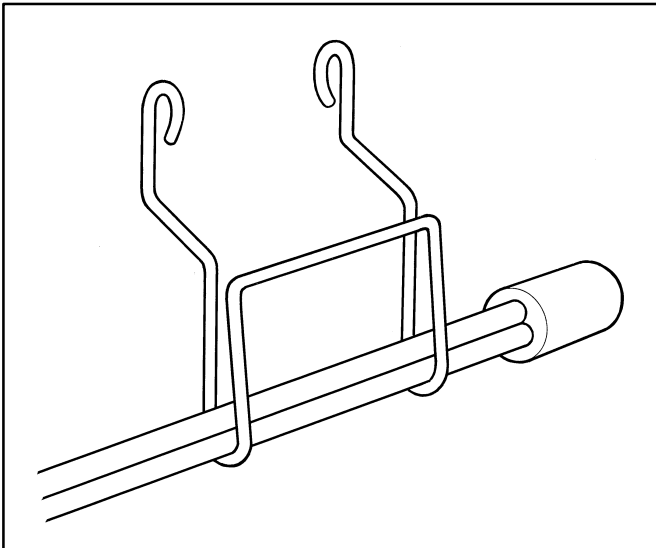


F42009537-001

OUTSIDE TEMPERATURE SENSOR FOR USE WITH *CM67* CHRONOTHERM

PRODUCT SPECIFICATION SHEET



APPLICATION

The F42009537-001 Outside Temperature Sensor (OTS) is designed to provide the *CM67* Chronotherm with the capability of detecting and displaying the outside temperature.

The Sensor is sealed to protect against water and contaminants and comes complete with an easy-mount clip and 2m of cable which fits into the *CM67* terminal blocks.

The Outside Temperature Sensor is ideal for consumers who wish to gauge the weather conditions and temperature before venturing outside.

FEATURES AND BENEFITS

Consumer

- **The OTS** makes the temperature outside available at the touch of a button
- **Avoid false forecast** of weather conditions on a cold but sunny day

Installer

- **Easy mount clip** ensures minimum fuss when installing
- **Simple connection** to terminal blocks in *CM67*
- **Quick set-up** through installer mode
- **Can be used** with up to 50m of cable to allow optimum positioning of sensor

SPECIFICATIONS

Operating Ambient Temperature Range : -25°C to 45°C
(-13°F to 113°F)

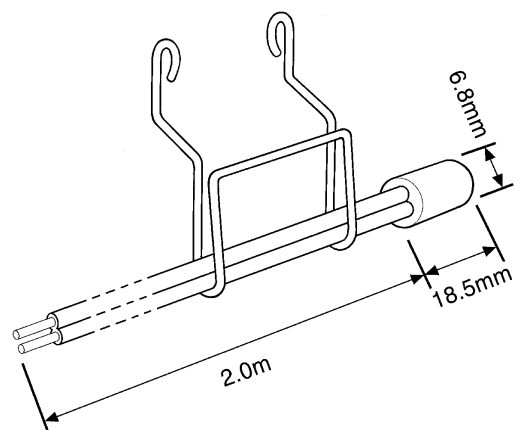
Operating Relative Humidity : 0% to 95% RH

Accuracy

Standard 2m of Cable
-25°C to 45°C : +/- 1°C

50m of Cable
-25°C to 0°C : +/- 1.4°C
0°C to 45°C : +/- 1.2°C

DIMENSIONS



LOCATION AND MOUNTING

For optimum performance mount the sensor where

- Setting cannot be tampered with
- There is good air circulation
- Wire distance sensor and CM67 is less than 50m
- 2/3 of the way up outside wall

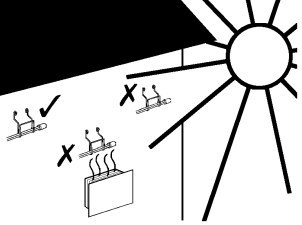
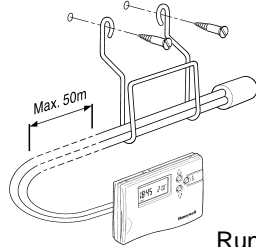
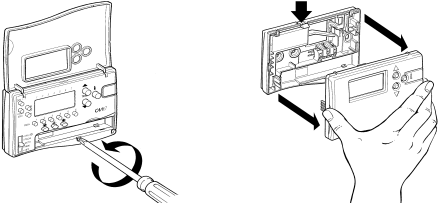
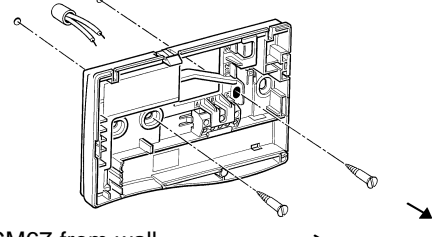
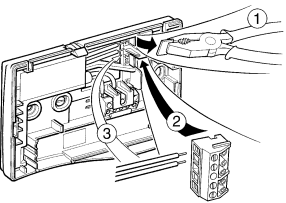
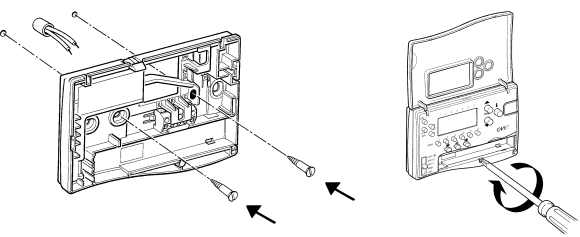
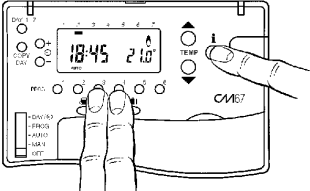

Do not mount the sensor

- In direct sunlight
- Near discharge vents or fans
- Near motors, lines starters, lighting ballasts or any other inductive load

CHARACTERISTICS (NTC)

T (°C)	R (kΩ) +/- 1%
0	316.6
10	195.8
20	124.3
25	100
30	80.9
40	53.83
50	36.57

INSTALLATION

<p>1.</p>  <p>Mount sensor in appropriate location</p>	<p>2.</p>  <p>Run cable from sensor to CM67</p>
<p>3.</p>  <p>Disconnect CM67 from mains electrical supply and remove front cover</p>	<p>4.</p>  <p>Remove CM67 from wall</p>
<p>5.</p>  <p>Insert Terminal Blocks and remove plastic tab covering terminal blocks marked 3 and 4. Insert cable through rear of</p>	<p>6.</p>  <p>Replace front cover and remount unit</p>
<p>7.</p>  <p>Use the rubber buttons as directed in installer instructions to commission the OTS</p>	<p>8.</p>  <p>After 1 minute press I twice and outside temperature will be displayed (can take up to 5 minutes for OTS to settle)</p>

Honeywell